

SPT Series Quick Product Introduction

Pure Sine Wave Inverter with Transfer Switch



Scan QR Code to view the User Manual



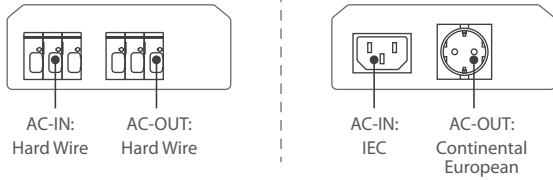
IMPORTANT: Please must read the Installation and Maintenance Instructions Before Connecting to the Supply. Please download and read the user manual from COTEK website or QR code before starting to use the SPT Inverter.

Output	SPT-1200	SPT-2000	SPT-3000
Rated Power	1200 VA	2000VA	3000 VA
Overload (Max. 1 min.)	1201 ~ 1440VA	2001~ 2400VA	3001 ~ 3600VA
Surge Power (Max. 3 Sec)	1441 ~ 2400VA	2401 ~ 4000VA	3601 ~ 6000VA
Surge Power (Max. 2 Sec)	> 2400VA	> 4000VA	> 6000VA
Frequency	50/60 Hz ± 0.3 Hz (User-selectable)		
Transfer switch			
Transfer relay rating	40A continuous		
Transfer Time	≤ 20mS		
Protection			
DC Input Protection	OCP(fuse), Reverse Polarity(mosfet), OVP, UVP		
AC Output Protection	Short-Circuit, Overload, Misconnection		
AC Input Protection	20A Breaker (Automatically Reset) / SPT-3000 : 30A Breaker (Automatically Reset)		
Over Temperature	Enable by heatsink temperature > 95°C		
Environment			
Working Temp.	-20°C ~ 60°C, (41~60°C de-rating)		
Storage Temp.	-40°C ~ 70°C		
Operating Humidity Range	0-95% RH, non-condensing		
Control & Signal			
Accessory (Optional)	CR-8T / CR-22 (112 only)		
LED Indicator	Grid Status / Unit Status / DC Reverse Status		
Dry Contact Terminal	ENB+, ENB-, GND, COM, N/C, N/O		
Communication port	RJ45 x 2		
Other			
Dimension (WxHxD)	227 x 86 x 332	253 x 86 x 366	290 x 102 x 408
Packing	3.4kg; 4pcs / 17.5kg	4.4kg; 3pcs / 18.5kg	6.5kg; 2pcs / 16.5kg
Cooling	Temperature & Load Controlled Cooling Fan		

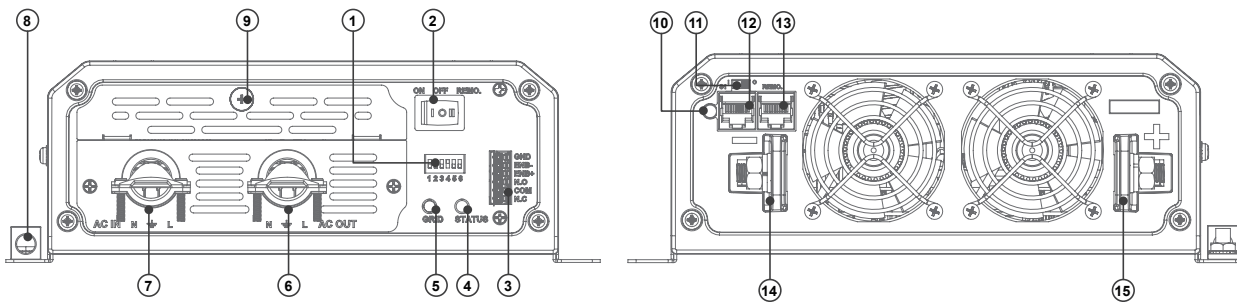
Output	SPT Series - 112	SPT Series - 124	SPT Series - 212	SPT Series - 224
AC Voltage	UL version : 120 VAC ±3% Non UL version : 100 / 110 / 115 / 120 VAC ±3% (User-selectable)		200 / 220 / 230 / 240 Vac ±3%	
Max. Efficiency	91%	92%	91%	92%
AC input (Bypass)				
Nominal Voltage / Frequency	120 VAC, 60Hz (User-selectable)		230 VAC, 50Hz (User-selectable)	
Input Voltage Range	70-150Vac		150-277Vac	
Input Frequency Range	60/50Hz ±3Hz			
AC Input current	24A		10A (SPT-3000 : 16A)	
Input				
DC Voltage	12.5 VDC	25.0 VDC	12.5 VDC	25.0 VDC
Voltage Range	10.0 ~ 16.5V ± 0.3 VDC	20.0 ~ 33.0V ± 0.3 VDC	10.0 ~ 16.5V ± 0.3 VDC	20.0 ~ 33.0V ± 0.3 VDC
No Load Current	SPT-1200<1.8A / SPT-2000<2.0A / SPT-3000<2.8A	SPT-1200<0.9A / SPT-2000<1.0A / SPT-3000<1.4A	SPT-1200<1.8A / SPT-2000<2.0A / SPT-3000<2.8A	SPT-1200<0.9A / SPT-2000<1.1A / SPT-3000<1.4A
Power Saving Mode	<0.1A @ 12.5VDC	<0.06A @ 25VDC (SPT-3000<0.1A)	<0.1A @ 12.5VDC	<0.06A @ 25VDC (SPT-3000<0.1A)
Protection				
Input Under-Voltage Protection	10.0 ± 0.3VDC	20.0 ± 0.3VDC	10.0 ± 0.3VDC	20.0 ± 0.3VDC
Input Under-Voltage Restart	13.5 ± 0.3VDC	27.0 ± 0.3VDC	13.5 ± 0.3VDC	27.0 ± 0.3VDC
Input Over-Voltage Protection	16.5 ± 0.3VDC	33.0 ± 0.3VDC	16.5 ± 0.3VDC	33.0 ± 0.3VDC
Input Over-Voltage Restart	12.5 ± 0.3VDC	25.0 ± 0.3VDC	12.5 ± 0.3VDC	25.0 ± 0.3VDC

Safety & EMC	SPT Series - 112	SPT Series - 124	SPT Series - 212	SPT Series - 224
Safety Standards	Certified UL458		Certified EN 62368-1	
EMC Standards	FCC class A : SPT-3000 / FCC class B : SPT-1200, SPT-2000		EN55032 class A : SPT-3000 / EN55032 class B : SPT-1200, SPT-2000	Certified EN 55035

Socket Types

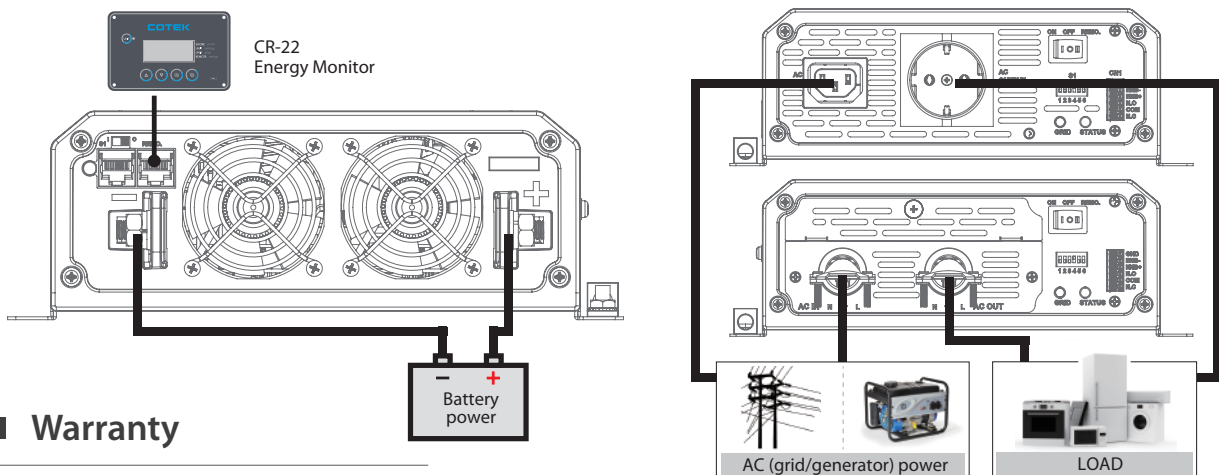


Product Appearance



- | | | |
|----------------------------|-------------------------------------|---------------------------|
| ① Function Switch (6-Port) | ⑥ AC-OUT Terminal | ⑪ RS485 Terminator Switch |
| ② Main Switch | ⑦ AC-IN Terminal | ⑫ Remote Port (RJ45) |
| ③ Remote Black Terminal | ⑧ Ground Lug | ⑬ Remote Port (RJ45) |
| ④ The Unit Status | ⑨ Panel Screw | ⑭ Batt- input Terminal |
| ⑤ AC power Only (Status) | ⑩ Battery power in reverse (Status) | ⑮ Batt+ input Terminal |

Product Installation



Warranty



Warning!

Do not open or disassemble the Inverter. Attempting to do so may cause risk of electrical shock or fire.

We guarantee this product against defects in materials and workmanship for a period of 24 months from the date of purchase.

In case you need to repair or replace any defective power inverters, please contact COTEK local distributor.

This warranty will be considered void if the unit has been misused, altered, or accidentally damaged. COTEK is not liable for anything that occurs as a result of the user's fault.